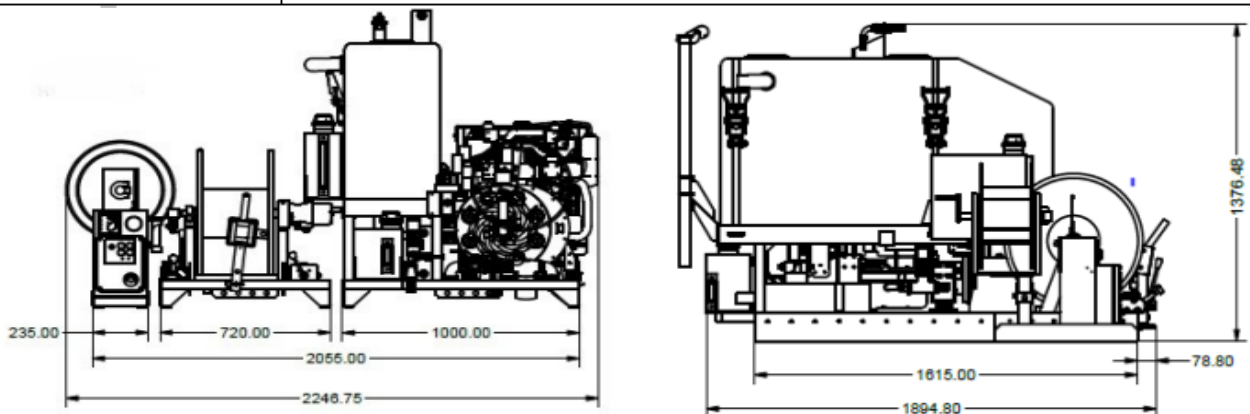


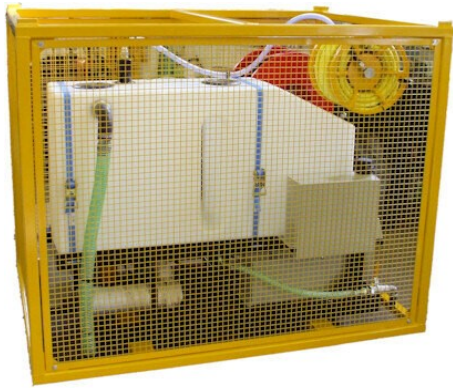
Skid Mount Jetters



| | P type Multi Skid |
|--------------------------|---|
| Pressure and Flow | Up to 275 bar / Up to 55 litres per minute (4000 psi / 12 gpm) Up to 350 bar / Up to 41 litres per minute (5000 psi / 9 gpm) Up to 415 bar / Up to 32 litres per minute (6000 psi / 7 gpm0 |
| Pump | 'P' type radial piston diaphragm |
| Engine | Stage 3b & Stage 5 diesel |
| Water tank | Options from 400 litres |
| Pump Module | P type pump driven by 50hp diesel engine |
| Control Module | Engine, pump and hose reel controls |
| Hose Reel Module | Variable-speed hydraulic-rewind hose reel with 90m high-pressure hose capacity |
| Weight | Dry weight from 750kg dry or 1150kg full* (without cage) |
| Dimensions | See below* (without cage) |
| Accessories | <ul style="list-style-type: none"> • 1/2" Standard jetting hose - 90m (300ft) • 3 x 1/2" Standard drain jets (3r, 3r1f & 6r) • 1/2" Safety leader hose 3m (10ft) • 1/2" Drain jet extension - 9" • Inlet hose reel |



* All weights and dimensions are approximate



Key features

- * Compact drain jetter skid
- * Up to 415 bar (6000 psi) at 54 lpm (12 gpm)
- * Can be mounted onto any suitable road or rail chassis, locally in country
- * Massive cleaning power in 300mm drains
- * Harben run dry high pressure pump
- * Jump Jet kit for long drain runs
- * Ideal for unblocking, descaling & root cutting
- * Multiple tank options
- * Radio and Manual control options
- * Stage 5 and Stage 3 engine options



Additional accessories

- * 60 or 90m x 1/2" hose
- * Safety leader hose
- * Tiger tail
- * 1/2" Standard drain jets
- * Rotary descaling jets
- * Mini jet kit
- * 9" Drain jet extension
- * Spray gun
- * Hose safety shroud
- * Safety equipment (PPE)

